

Information about this manual

This manual will show you how to retrofit the hygiene station safely with SensorTouch L and a combination lock. The hygiene station with SensorTouch L and combination lock is simply referred to as “product” in the following.

The Geck SensorTouch L is simply referred to as “dispenser” in the following.

The dispenser and combination lock are intended for installation on a base station prepared for this purpose, if necessary.

The installation instructions are intended for persons retrofitting the product.

These persons must have read and understood the contents of these installation instructions.

In addition to the instructions in this manual, they must always observe the legal regulations and other regulations applicable at the installation site, such as:

- Accident prevention regulations
- Regulations for safe and professional work

Keep this manual handy

This manual is an integral part of the product.

- ▶ Please read this manual carefully before using the product for the first time.
- ▶ Always observe the instructions and specifications in this manual.
- ▶ Keep the manual for the entire service life of the product.
- ▶ Keep the manual available for reference.
- ▶ If the manual gets lost or has become illegible, request a new copy from the manufacturer.
- ▶ Supply the manual with the product if you sell it or pass it on.

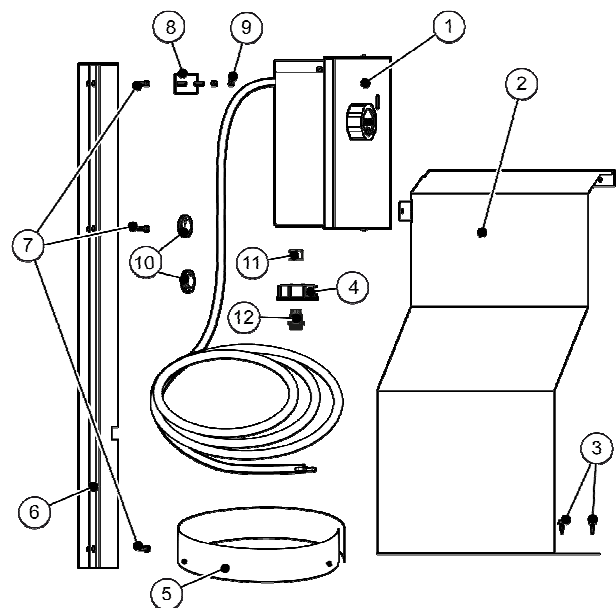
These installation instructions also include other documents, such as the manufacturer’s operating instructions.

Personnel qualifications

This manual is intended for qualified personnel. These persons may only carry out the activities described in this manual in accordance with the operator’s work instructions.

Qualified personnel are, for example, building technicians.

Dispenser scope of delivery



- | | |
|-------------------------|---|
| ① Dispenser | ⑦ Screws |
| ② Cover for canister | M5 × 12 (3 x) |
| ③ Drilling screws (2 x) | ⑧ Mounting plate |
| ④ Cap | ⑨ Nut, M5 (2 x) |
| ⑤ Drilling template | ⑩ Rubber grommets
(2 x small, 2 x large) |
| ⑥ Cover for hose | ⑪ Union nut |
| | ⑫ Clamping piece |

The scope of delivery includes two additional spring rings 5.1 (not shown).

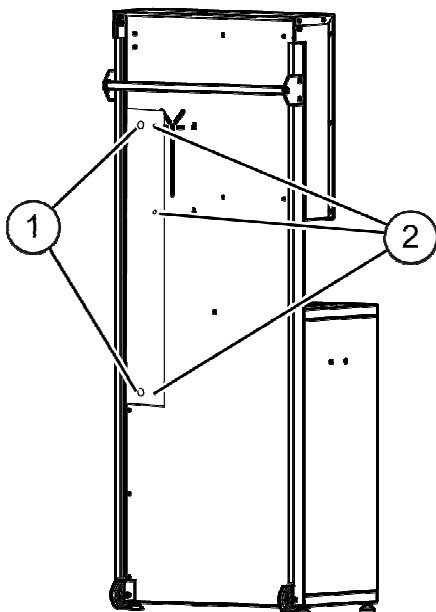
Required tools

- Cordless screwdriver
- Metal drill \varnothing 5.5 mm
- Metal drill \varnothing 12.5 mm
- Marker

Drilling holes

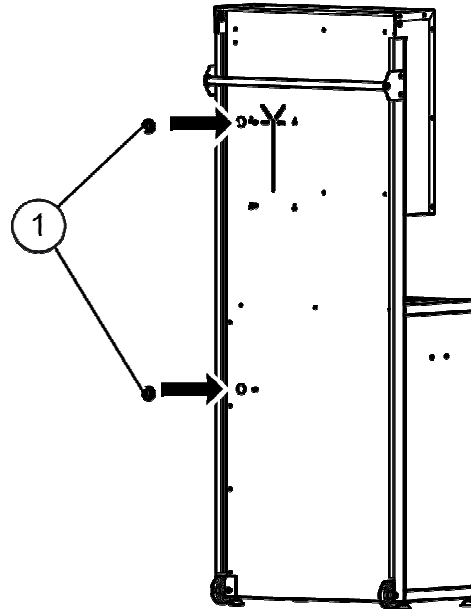
If there are no appropriate drill holes on the hygiene station, you will have to make them.

- ▶ Open the cover.
- ▶ If necessary, dismantle the existing dispenser.
- ▶ Insert the drilling template and centre it.
- ▶ Mark the holes using the drilling template and a marker.
- ▶ Drill the holes (1, 2) \varnothing 5.5 mm.
- ▶ Drill out the holes (1) \varnothing 12.5 mm.
- ▶ Remove the drilling template.

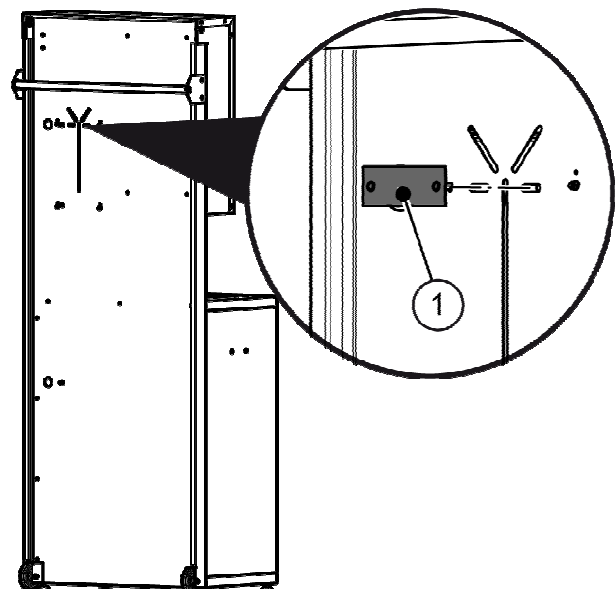


Mounting the dispenser

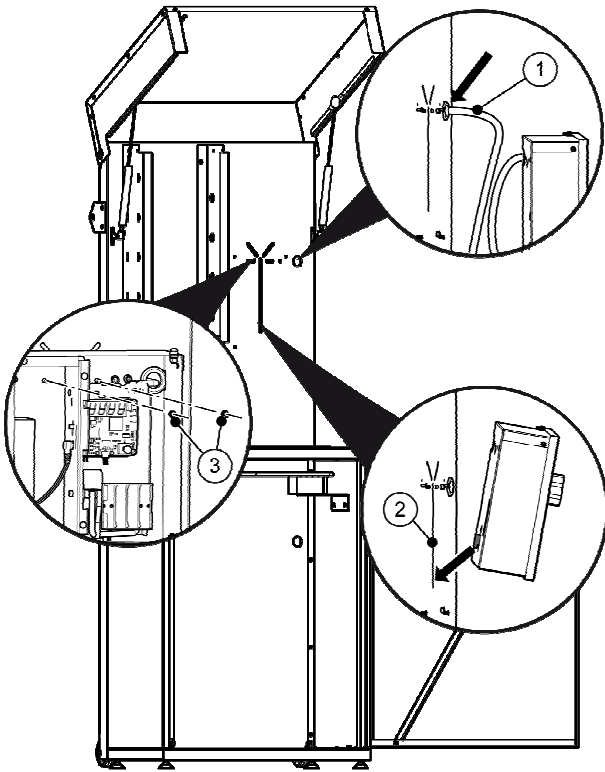
- ▶ Select suitable rubber grommets (1) according to size and press them into the holes.



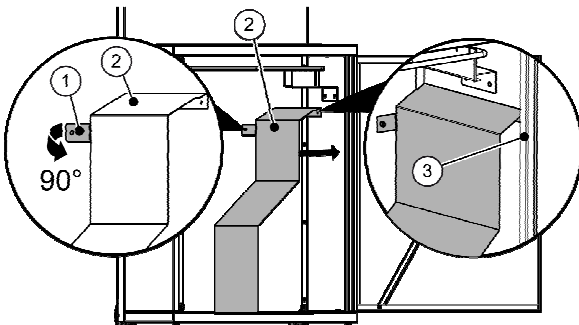
- ▶ Insert the mounting plate (1) into the holes.



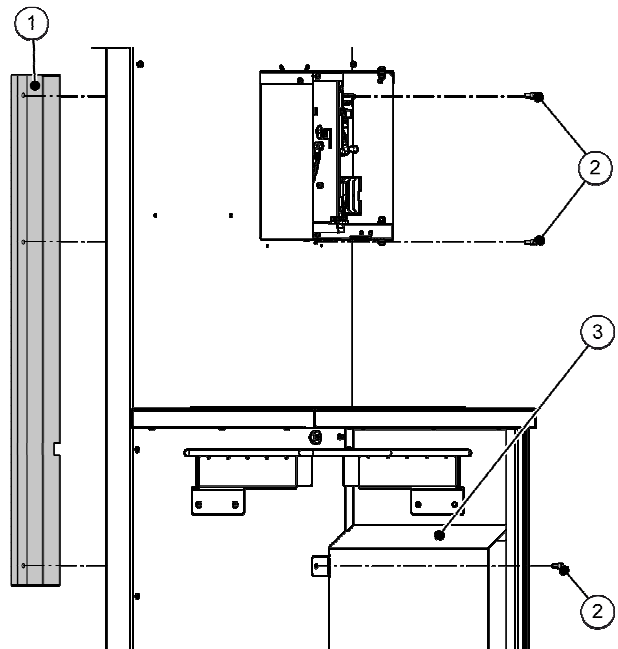
- ▶ Push the hose (1) back through the upper rubber grommet.
- ▶ Hook the dispenser into the vertical slot (2).
- ▶ Open the dispenser.
- ▶ Place the spring rings 5.1 (not shown) on the threads and tighten with two nuts, M5 (3).



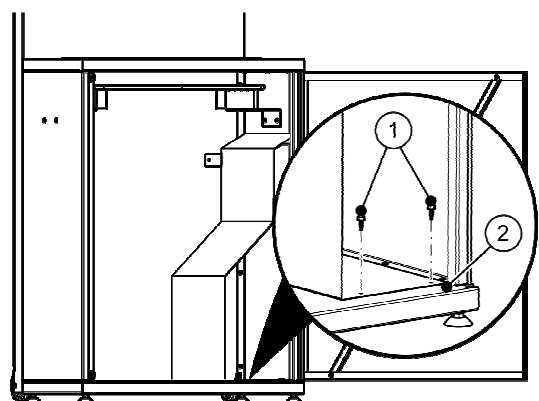
- ▶ Push the hose inwards through the lower rubber grommet.
- ▶ Bend the lug (1) on the cover (2) 90° by hand.
- ▶ Turn the cover (2) behind the upstand (3) and push it against the side wall.



- ▶ Hold the rear of the cover (1) at the height of the holes.
- ▶ Fasten the cover (1) with the upper screws M5 x 12 (2).
- ▶ Fasten the covers (1, 3) with the upper screw M5 x 12 (2) to the rear wall.



- ▶ Screw the cover for the canister onto the base (2) with two drilling screws (1). Use the cordless screwdriver to do this.



Inserting the disinfectant

⚠ CAUTION



Risk of fire due to leaking disinfectant.

- ▶ Only use the intended disinfectant.
- ▶ Ensure that the canister is replaced properly.
- ▶ Check the hoses and their connections before continuous operation.

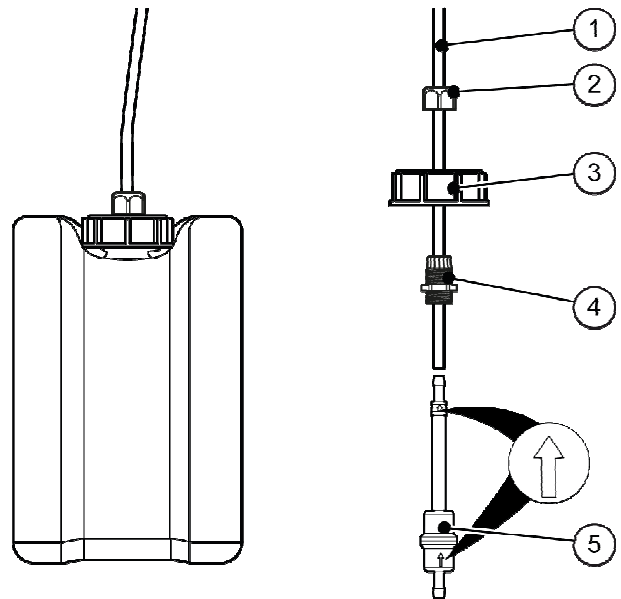
⚠ CAUTION



Risk of eye injury due to contact with disinfectant.

- ▶ Read and follow the information in the disinfectant manufacturer's safety data sheet.
- ▶ Wear safety goggles and protective gloves if required by the disinfectant manufacturer.
- ▶ Remove any spilled disinfectant.

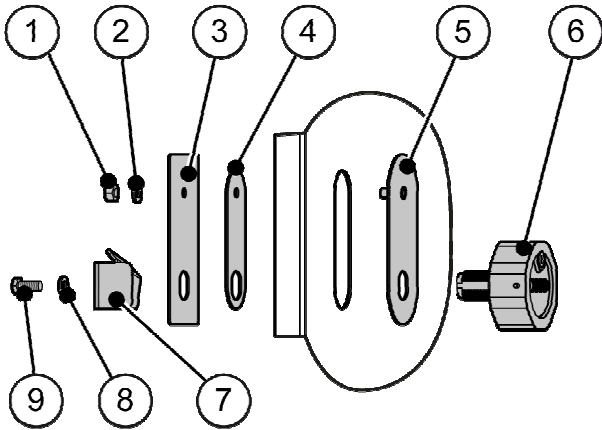
- ▶ Open the lower door.
- ▶ Remove the cap from the full canister.
- ▶ Slide the union nut (2), the cap (3) and the clamping piece (4) over the hose (1).
- ▶ Connect the filter unit (5) to the hose. Make sure that the flow direction is correct.
- ▶ Screw the union nut (2) onto the clamping piece (4).
- ▶ Push the cap (3) over the hose (1) so that the end of the hose ends just above the bottom of the canister after assembly.
- ▶ Tighten the union nut (2) firmly.
- ▶ Close the canister tightly with the cap (3).



- ▶ Insert the canister.

The commissioning of the product is described in the operating instructions.

Scope of delivery of the combination lock



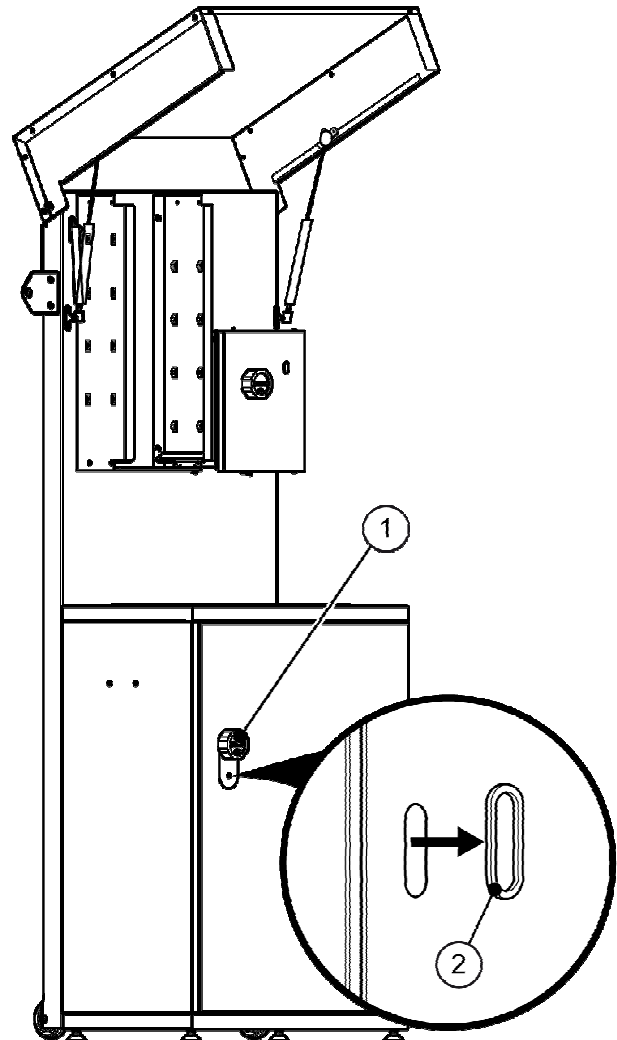
- | | |
|-------------------|------------------------|
| ① Nut (M6) | ⑥ Combination lock |
| ② Spring ring 5.1 | ⑦ Latch |
| ③ Inner plate | ⑧ Serrated lock washer |
| ④ Middle plate | ⑨ Screw |
| ⑤ Outer plate | |

Required tools

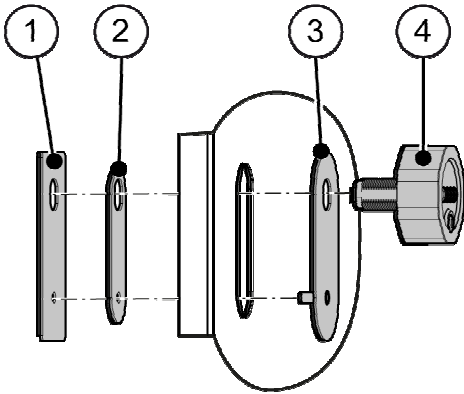
- Spanner SW 8
- Spanner SW 10
- Spanner SW 22

Installing the combination lock

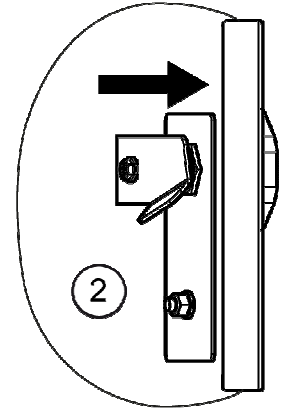
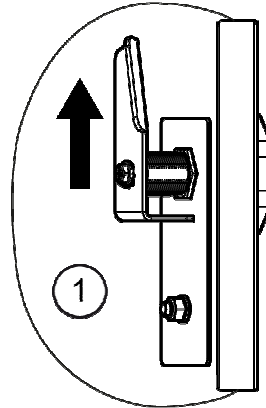
- Remove the edge protector (2) from the door handle (1).



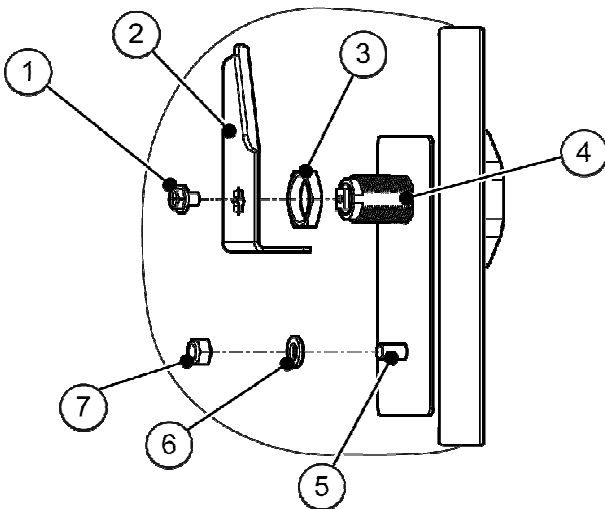
- ▶ Insert the inner plate (1, 2), the outer plate (3) and the combination lock (4) as shown.



- Latch upwards (1), open position
- Latch to the door edge (2), closed position



- ▶ Place the nut (3) on the thread (4).
- ▶ Insert the latch (2) and fix it with the screw (1). Make sure that the latch is in the open position.
- ▶ Place the spring ring (6) on the thread (5) and tighten it with the nut (7).



The setting of the combination lock is described in the operating instructions.

